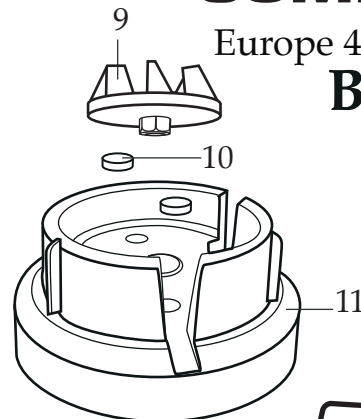
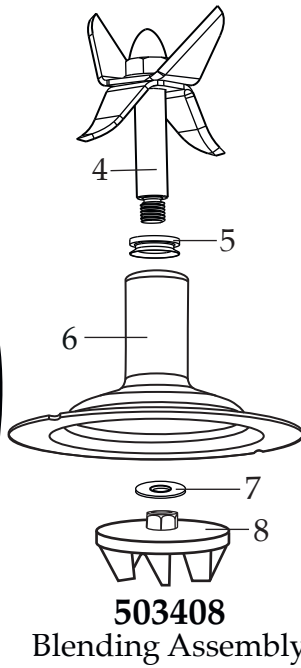
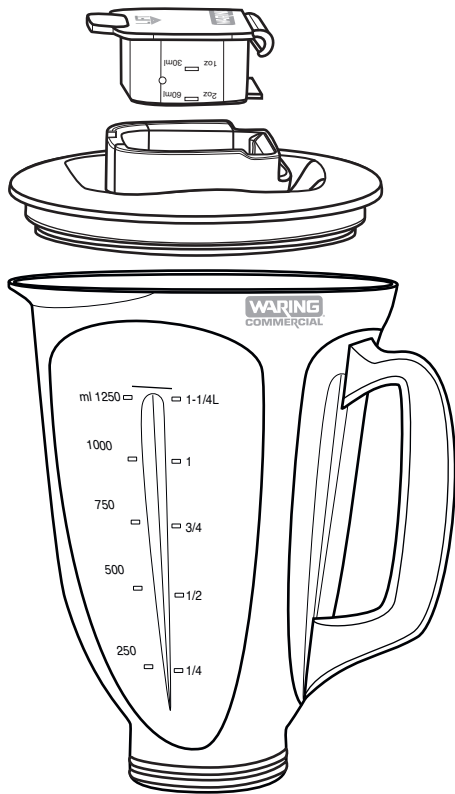
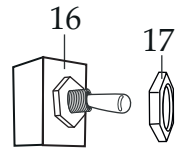
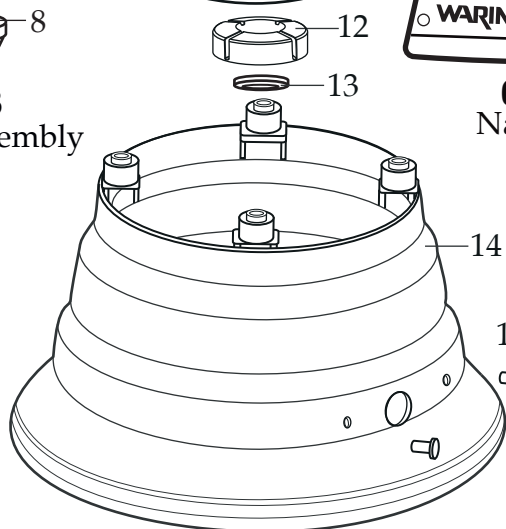


WARING COMMERCIAL®

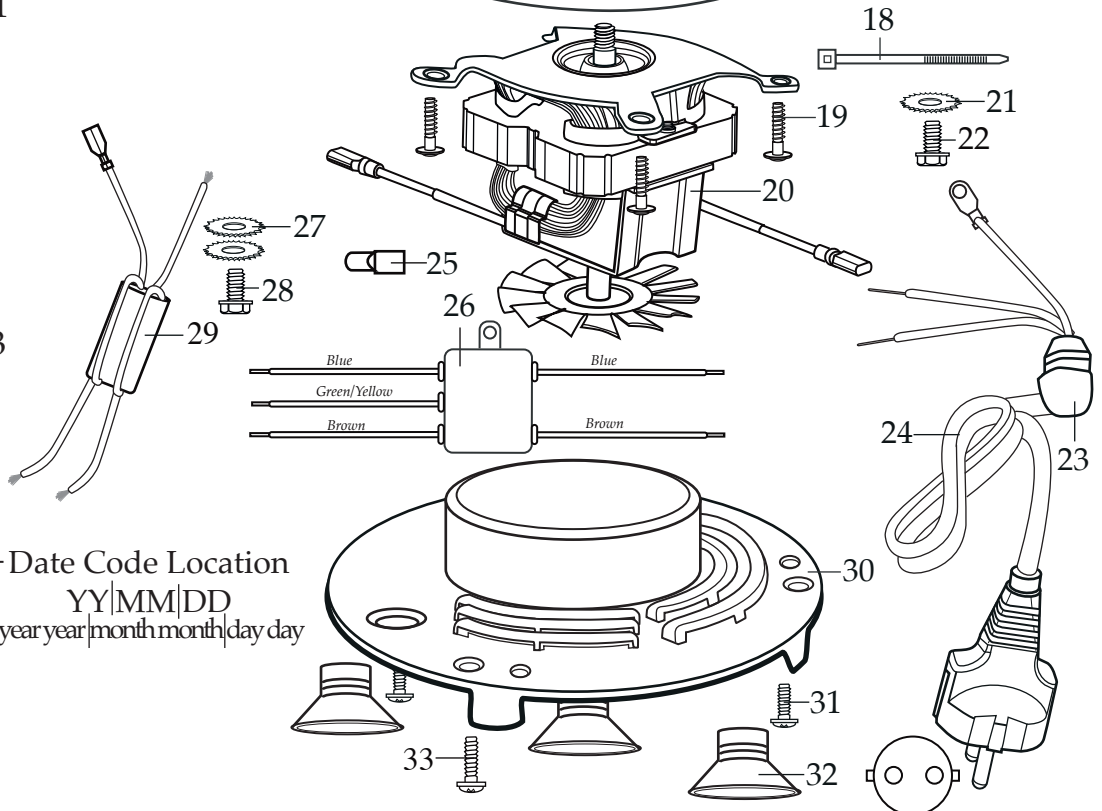
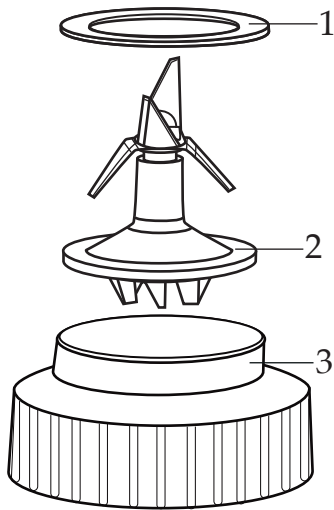
Europe 44 oz. Bar Blender
BB255E



028628
Name Plate



- 502801-P** (on units after 7/11/2021)
Jar with Polyone Lid Assembly
- 502801-V** (last used on 3/5/2021)
Jar with Vinyl Lid Assembly
- 502801-M** (last used on 3/15/2019)
Jar with Monoprene Lid Assembly



← Date Code Location
YY|MM|DD
year|year|month|month|day|day



Illustration#	Part#	Description
1	026284	Jar Seal
2	503408	Blending Assembly
3	033826-09	Black Jar Bottom
4	503407	Blade Assembly
5	027716	V Seal
6	503358	Stainless Steel Bearing Holder
7	030426	Nylon Washer
8	032453	Coupling
9	032453	Coupling
10	016094	Hole Plug (2 required)
11	017381-09-R	Black Jar Adapter
12	034612	Housing Seal
13	035756 026413	Stainless Steel Cap Washer (on units after 7/13/2016) Cap Washer
14	030218-09W	Black Wrinkle Base
15	003532	Rivet (2 required)
16	026537	Switch
17	016236	Hex Nut
18	013731	Cable Tie (2 required)
19	033940	Sems (4 required)
20	035381	Chiaphua Motor with MTP
21	002943	Lock Washer
22	027278	Ground Screw
23	013680	Strain Relief
24	503181	Cord Set
25	012409	Small Crimp Connector (5 required on units after 7/13/2016)
	012409	Small Crimp Connector (2 required)
	019123	Large Crimp Connector (2 required)
26	503268	Filter Assembly

Illustration#	Part#	Description
27	002943	Lock Washer (2 required)
28	027278	Ground Screw
29	503507	Lead and Ferrite Core Assembly (on units after 7/13/2016)
30	028532	Bottom Plate ONLY (on units after 7/25/2017)
	035655	Bottom Plate ONLY (obsolete)
	503485	Bottom Plate Assembly with Cord & Feet
31	018477	Special Screw
32	026278	Suction Cup Foot (3 required)
33	013659	Screw (2 required)

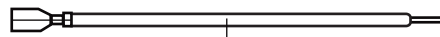
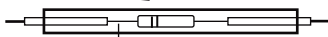
Parts No Longer Used

(last used on 7/13/2016)

026666
Capacitor



502763
Resistor



502753
6" Brown Lead

002944
Hex Nut

(for filter assembly)

002943
Lock Washer

(for filter assembly)

013659
Screw

(for filter assembly)

